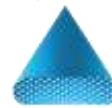


High Pressure Nozzles

High Impact, Hardened Stainless Steel



Even fan spray
pattern for uniform
distribution

Best cleaning performance and high efficiency manufacturing make this the best value High Pressure Nozzle on the market.

FEATURES & BENEFITS

- Long life -manufactured entirely from 416 hardened stainless steel
- Highest impact: up to 16% more impact in tests compared to competitor high pressure nozzles
- Reliable performance up to 270 bar
- 0°, 15°, 25° and 40° spray angles as standard, other angles on request
- **¼" or ½" BSP or NPT male pipe thread with hex. body for fast fitting without the risk of distortion of the orifice**
- One piece design to optimise flow dynamics, minimise turbulence and nozzle wear
- Permanent etched part number on front for ease of identification when in nozzle holder
- Responsive UK manufacture. Popular sizes available from stock. Pricing is quantity based to reflect manufacturing efficiencies



Uniform distribution of a high impact spray for fast cleaning that adds to the efficiency of your operations. Suitable for use in all high pressure applications such as Hard Surface Cleaning, Vehicle Washing, Conveyor Washing, Building Disinfection, Drain Cleaning, Graffiti Removal, Food Processing and label removal.

Range and Dimensional Information

Nozzle Flow Rates:

Nozzle Ref.	Flow (L/min) @ Operating Pressure (Bar)									
	15	20	30	40	50	60	80	100	150	200
02	1.77	2.04	2.50	2.88	3.22	3.53	4.08	4.56	5.58	6.45
025	2.21	2.55	3.12	3.60	4.03	4.41	5.10	5.70	6.98	8.06
030	2.65	3.06	3.75	4.32	4.84	5.30	6.12	6.84	8.38	9.67
035	3.09	3.57	4.37	5.05	5.64	6.18	7.14	7.98	9.77	11.28
04	3.53	4.08	4.99	5.77	6.45	7.06	8.16	9.12	11.17	12.89
045	3.97	4.59	5.62	6.49	7.25	7.95	9.17	10.26	12.56	14.51
05	4.41	5.10	6.24	7.21	8.06	8.83	10.19	11.40	13.96	16.12
055	4.86	5.61	6.87	7.93	8.86	9.71	11.21	12.54	15.35	17.73
06	5.30	6.12	7.49	8.65	9.67	10.59	12.23	13.68	16.75	19.34
065	5.74	6.63	8.12	9.37	10.48	11.48	13.25	14.82	18.15	20.95
07	6.18	7.14	8.74	10.09	11.28	12.36	14.27	15.96	19.54	22.57
075	6.62	7.65	9.36	10.81	12.09	13.24	15.29	17.10	20.94	24.18
08	7.06	8.16	9.99	11.53	12.89	14.13	16.31	18.24	22.33	25.79
085	7.50	8.66	10.61	12.25	13.70	15.01	17.33	19.38	23.73	27.40
09	7.95	9.17	11.24	12.97	14.51	15.89	18.35	20.51	25.13	29.01
10	8.83	10.19	12.48	14.42	16.12	17.66	20.39	22.79	27.92	32.24

Datum pressure: 70 bar

Nozzle Options:

THREADS: ¼ inch or ⅜ inch BSP or NPT

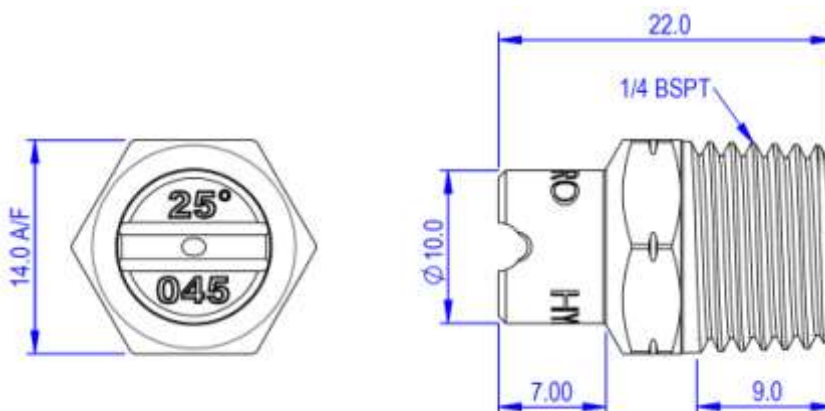
ANGLES (measured at 10 bar, varies with pressure): 0°, 15°, 25° and 40°, other angles on request

Part Numbering:

Type:	Thread size:	Spray Angle:	Ref:	Thread type:
HP	1/4	- e.g. 40	e.g. 04	BSP = 'BSP'
HP	1/8	-		NPT = Blank

Example part number: HP1/4-4004-BSP

Nozzle Dimensions:



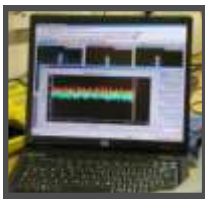
Performance Information

Forceful, uniform impact is the key to achieving excellent washing performance, it also means less water used. Hypro's High Pressure Nozzles offer the highest impact spray on the market today.

To demonstrate this, Hypro commissioned comparative tests carried out by the manufacturer of the test equipment. In the tests Hypro HPN nozzles delivered uniformly high impact across the spray fan.



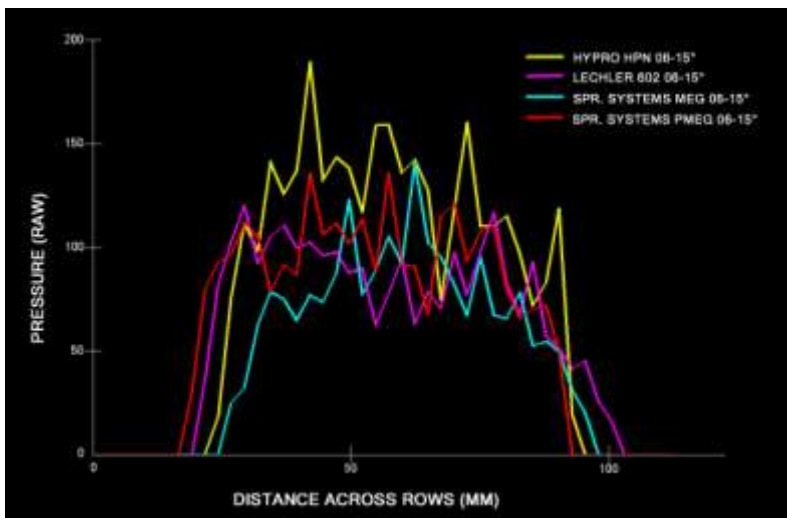
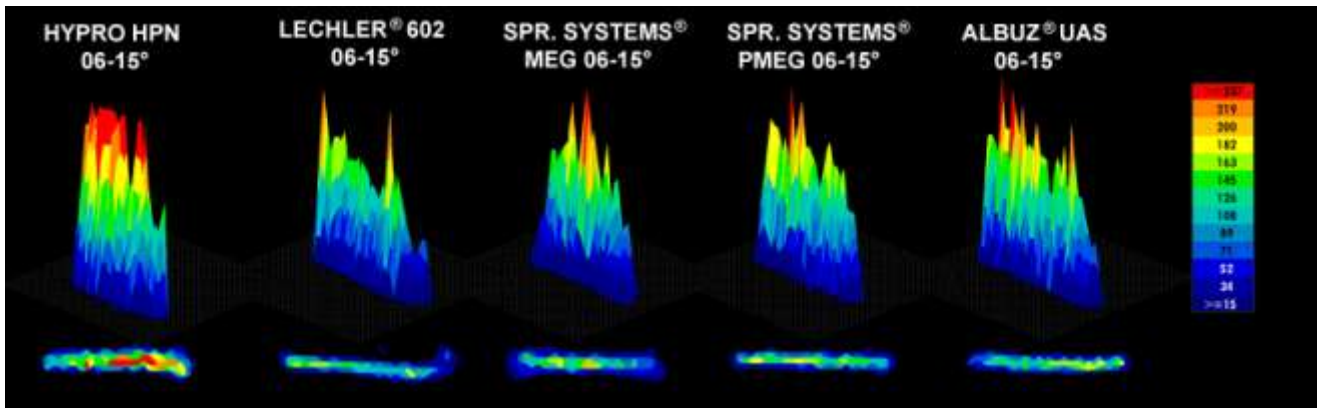
Impact tests were conducted at 70 bar pressure with spray directed onto an impact sensor grid (as shown). The grid was vertically mounted so spray ran off. Distances from the sensor were adjusted to achieve a similar width of fan spray. Spray nozzles in the test were: Albus® UAS, Lechler® 602, Spraying systems® PMEG and MEG and Hypro HPN in a variety of flows.



The impact pad incorporated 1936 sensors, each recording 50 readings per second. Spray tests were run for 8 seconds, making a total of 400 readings for each nozzle. The results are shown below.

To see a video of Hypro HPN nozzles in action, see www.highpressurenuzzles.co.uk

Spray Impact Test Results



The charts above show impact measured across each fan as a 3D and plan diagram, the scale is digital to show relative impact. The chart on the left shows the digital scale converted to pressure for 4 of the test nozzles.

Sudden Impact®

Ultra high impact controlled rotation nozzle



For the highest impact cleaning jet with best possible wear characteristics, select the tungsten carbide Sudden Impact® nozzle range. These nozzles deliver a rotating water stream with 24° or 30° pattern. Offered in brass or corrosion-resistant 304 stainless steel housing with ¼” BSP or NPT thread.

Nozzle Size	Flow rate litres/min										
	50	60	70	80	90	100	120	140	160	180	200
2.0	3.21	3.51	3.80	4.06	4.30	4.54	4.97	5.37	5.74	6.09	6.42
3.0	4.83	5.29	5.71	6.11	6.48	6.83	7.48	8.08	8.64	9.16	9.66
3.5	5.66	6.20	6.70	7.16	7.59	8.00	8.77	9.47	10.12	10.74	11.32
4.0	6.45	7.07	7.63	8.16	8.66	9.12	9.99	10.80	11.54	12.24	12.90
4.5	7.24	7.94	8.57	9.16	9.72	10.24	11.22	12.12	12.96	13.74	14.49
5.0	8.07	8.84	9.55	10.21	10.83	11.42	12.51	13.51	14.44	15.32	16.15
5.5	8.87	9.71	10.49	11.21	11.89	12.54	13.74	14.84	15.86	16.82	17.73
6.0	9.66	10.58	11.43	12.22	12.96	13.66	14.96	16.16	17.28	18.33	19.32

Part Numbering:

Type:	Size:	Spray Angle:	Material:	Nozzle size:	Thread
TUR	3	24° or 30°	B (brass) S (St Steel)	- e.g.2.0	BSP NPT = Blank

Example part number: TUR324B-2.0BSP