

ProClean™

High Performance Tank and Container Wash Nozzles



ProClean™ Tank Cleaning Nozzle
Part Number:
PC1/2F-235120



ProClean™ Rotating Container Cleaning Nozzle. Part number:
PC1/2F-36075



ProClean™ Plus Container Cleaning Nozzle. Part number:
30B4SNF70E35



ProClean™ Tank and Container Wash Nozzles are designed for better and faster cleaning of empty agrochemical containers and the inside of sprayer tanks. They are compact in size and manufactured for performance and durability.

Container Wash Nozzles

- Optimum cleaning pressure of 2 - 4 bar (Range 1 - 8 bar)
- Compact size 73 mm tall
- ½" BSP female thread fits common induction hopper valves
- 2 options - use alone or in combination for most efficient cleaning

ProClean™ (Rotating)

- 4 fluid-driven rotating fan jets
- Target all corners of the container avoiding 'blind spots'
- Spins on a self-flushing water bearing with no ball bearings to seize
- Chemically resistant and durable PVDF construction

ProClean™ Plus

- Powerful single fan jet, directed upwards at 35° angle
- Cuts through residues at the base of containers
- Retrofit kits available to fit most W&B stainless steel hoppers
 - Part no. PC-CW550 (centre feed)
 - Part no. PC-CW551 (off-centre)

ProClean™ Tank Wash Nozzle

- Fit inside the sprayer tank to rinse internal surfaces
- 8 fluid-driven rotating fan jets cover upper tank surfaces
- Supplied with flow restrictor:
 - Optimum pressure 2.5–5 bar (without restrictor)
 - Optimum pressure 7.5–10 bar (with restrictor fitted)



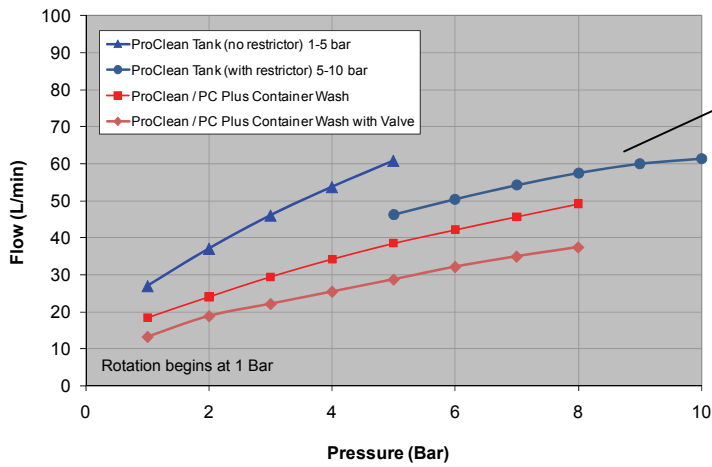
Fast container cleaning minimises delay in turnaround when spraying.



ProClean Push-valve easily releases water flow when pushed with a container rim. Requires the same force to activate at all pressures.
Part Number:
PV1/2F1/2M-MA

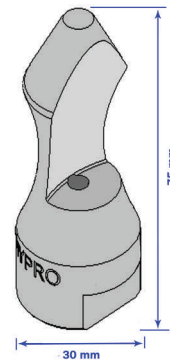


Flow Guidelines at Standard Operating Pressures:

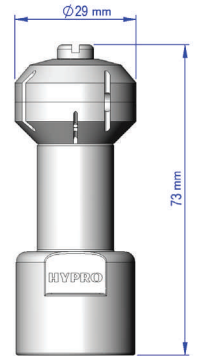


Fit restrictor to Tank Wash Nozzle when using at 5-10 bar

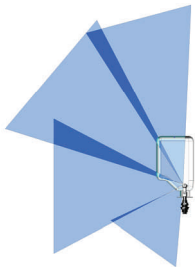
Dimensions:
ProClean™ Plus:



Dimensions:
ProClean™ Tank:



Spray Jet Patterns in Container and Tank:



ProClean™ Rotating Container Nozzle

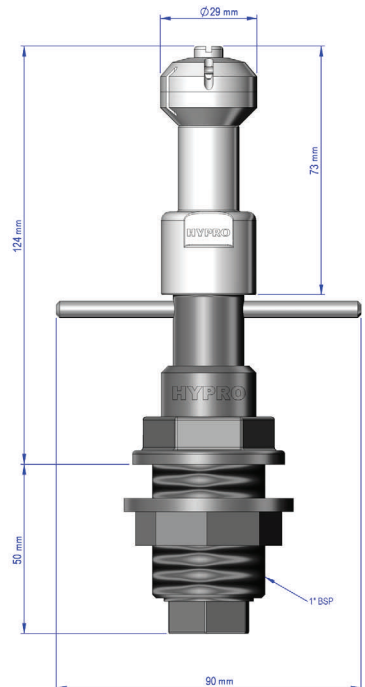


ProClean™ Plus Container Nozzle

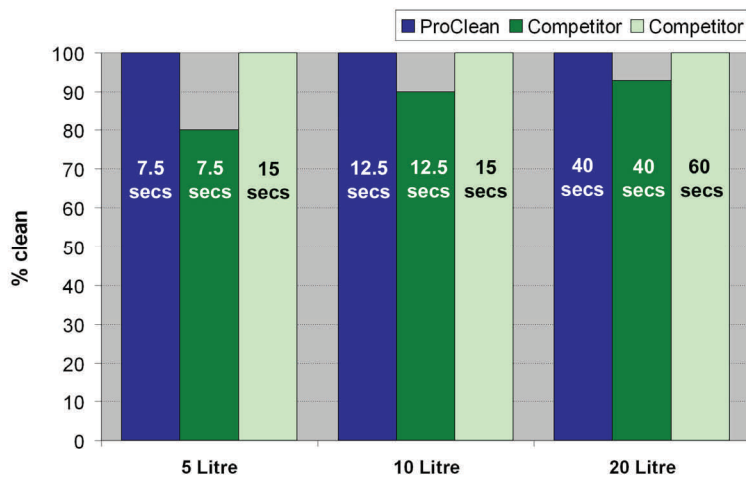


ProClean™ Tank Nozzle

Dimensions: ProClean™ Container Nozzle with Valve:



ProClean Rotating Container Nozzle—cleaning effectiveness:



Comparison based on simulated thick chemical residue.
For a video demonstration of ProClean™ Container Wash Nozzle go to www.hypro-eu.com.



Hypro EU Limited

Station Road, Longstanton, Cambridge, CB24 3DS, UK T: +44 (0)1954 260097 F: +44 (0)1954 260245 E: info@hypro-eu.com

www.hypro-eu.com

